

---

<b>Introduction</b>	<b>3</b>
---------------------	----------

---

<b>Applications</b>	<b>3</b>
---------------------	----------

---

<b>Features</b>	<b>3</b>
-----------------	----------

---

<b>Construction materials</b>	<b>3</b>
-------------------------------	----------

---

<b>Carry frame</b>	<b>4</b>
--------------------	----------

---

<b>Petrol/Diesel engines</b>	<b>4</b>
------------------------------	----------

---

<b>Electric motors</b>	<b>4</b>
------------------------	----------

---

<b>GDP 25</b>	<b>5</b>
---------------	----------

---

<b>GDP 32</b>	<b>6</b>
---------------	----------

---

<b>GDP 38</b>	<b>7</b>
---------------	----------

---

<b>GDP 50</b>	<b>8</b>
---------------	----------

---

<b>GDP 76</b>	<b>9</b>
---------------	----------

---

<b>Service kit</b>	<b>10</b>
--------------------	-----------

---

<b>Drawings</b>	<b>11</b>
	<b>12</b>

---

<b>Contact us</b>	<b>13</b>
-------------------	-----------

**The GDP is a mechanical diaphragm pump that uses a heavy duty gearbox coupled to an eccentric block to actuate the diaphragm. It is belt-driven by pulleys which enables it to use a variety of drive options.**

With its heavy duty construction, ability to run dry and self-prime, the GDP pump is suitable for a wide range of applications including dewatering, transfer, oil skimming and oil/water separation.



## Applications

- dewatering excavation
- raw sewage
- pool maintenance and construction
- waste treatment plants
- oil skimming
- bore desludging
- oil/water separators
- machine sumps
- priming large centrifugal pumps
- industrial wastes
- liquid manure
- septic tank cleaning
- drum emptying
- abattoir and poultry processing
- spillage mop-up

## Features

- suction lifts to 7.5 m
- operate on shore
- rapid self-priming
- handle abrasive liquids
- run-dry without damage
- pass solids up to 80% port size
- heavy duty, compact construction
- TEFC electric motors fitted as standard
- electric motor enclosures optional

## Construction materials

Component	Standard	Optional
Wetted (casing and ports)	Aluminium	Cast iron/316 stainless steel
Diaphragm	Buna-N (nitrile)	Neoprene/Viton
Flap valve/gasket	Buna-N (nitrile)	Polyetherene
Valve seat	316 stainless steel	

---

## Carry frame

All sizes can be fitted with a carry frame.



---

## Petrol/Diesel engines

GDP 50 and GDP 76 can be supplied with a petrol or diesel engine which enables increased portability in applications such as:

- site dewatering
- excavation dewatering
- pool maintenance/construction
- construction sites



---

## Electric motors

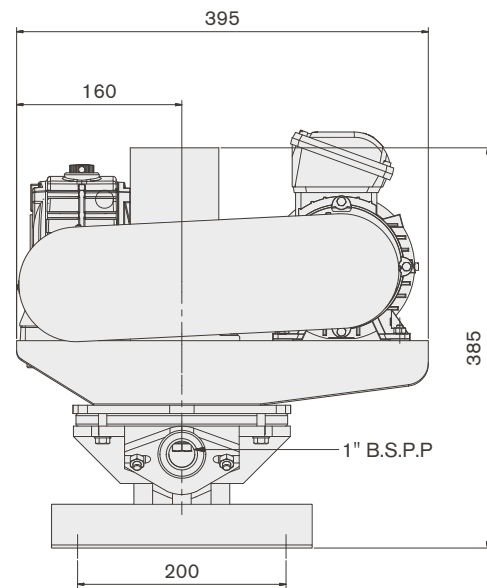
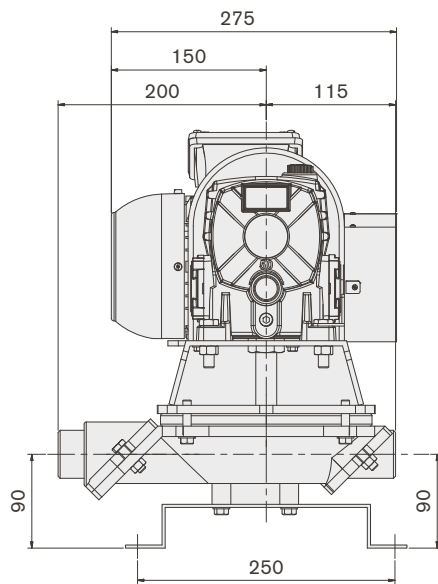
All pump sizes are available with the following electric motor options:

- 240 V (single-phase)
- 415 V (three-phase)



## GDP 25

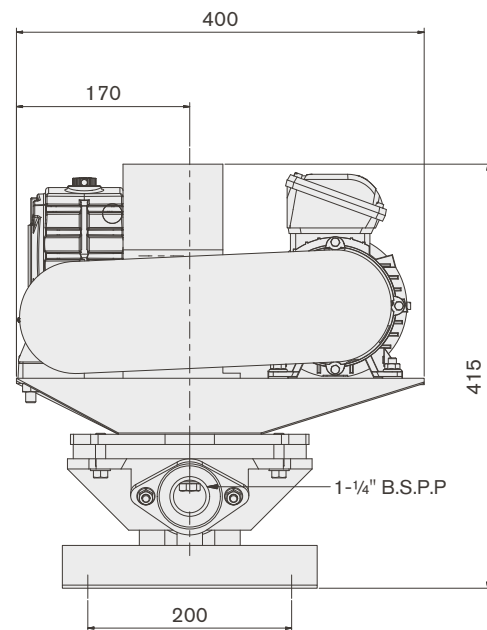
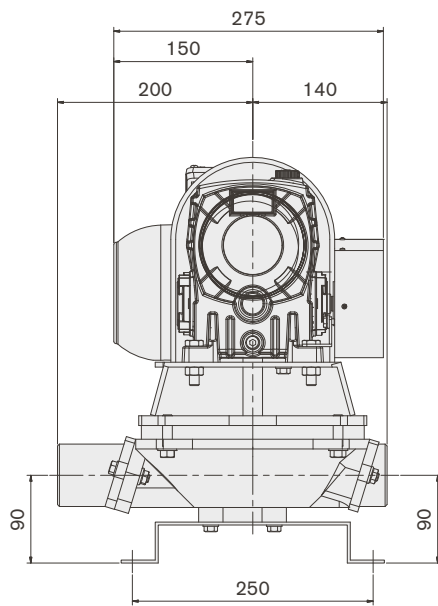
<b>Model no.</b>	GDP 25
<b>Connections</b>	25 mm (1")
<b>Nominal flow rate</b>	16-25 L/min
<b>Suction lift</b>	7.5 m
<b>Discharge head</b>	6.0 m
<b>Solid size</b>	15 mm
<b>Motor size</b>	0.37 kW
<b>Weight</b>	25 kg



Part no.	Model no.	Description	Type	Amps	kW
660000	GDP25-100	GD Pump with no motor (bare)	Bare	N/A	N/A
660006	GDP25-150	GD Pump with no motor (bare)	Bare	N/A	N/A
660060	GDS25-100	GD Pump with 240 Volt motor	240 Volt	2.8	0.37 kW
660066	GDS25-150	GD Pump with 240 Volt motor	240 Volt	2.8	0.37 kW
660096	GDT25-100	GD Pump with 415 Volt motor	415 Volt	1.2	0.37 kW
660102	GDT25-150	GD Pump with 415 Volt motor	415 Volt	1.2	0.37 kW

## GDP 32

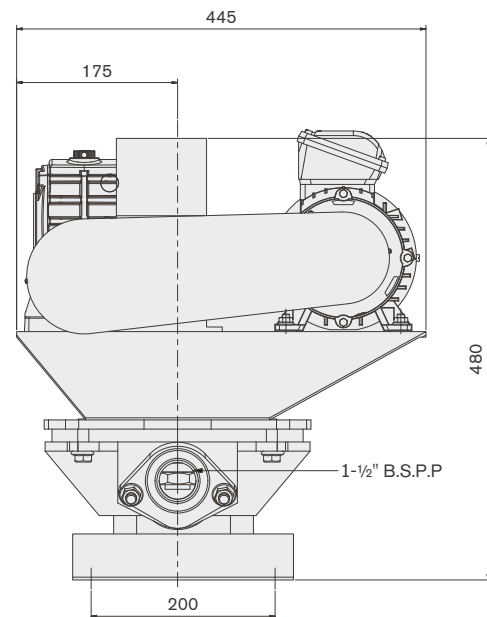
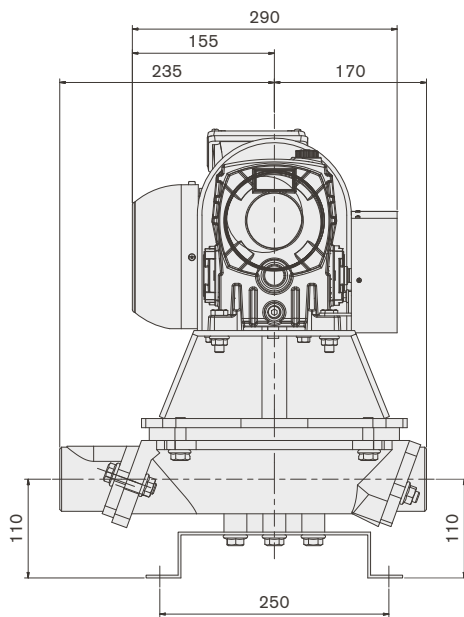
<b>Model no.</b>	GDP 32
<b>Connections</b>	32 mm (1 1/4")
<b>Nominal flow rate</b>	33 L/min
<b>Suction lift</b>	7.5 m
<b>Discharge head</b>	6.0 m
<b>Solid size</b>	20 mm
<b>Motor size</b>	0.37 kW
<b>Weight</b>	30 kg



Part no.	Model no.	Description	Type	Amps	kW
660012	GDP32-200	GD Pump with no motor (bare)	Bare	N/A	N/A
660072	GDS32-200	GD Pump with 240 Volt motor	240 Volt	2.8	0.37 kW
660108	GDT32-200	GD Pump with 240 Volt motor	415 Volt	1.2	0.37 kW

## GDP 38

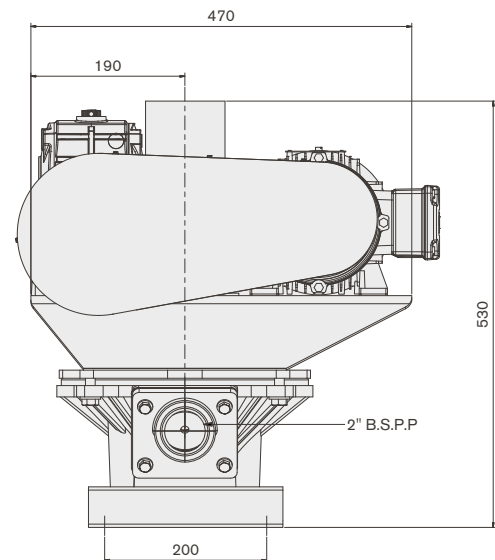
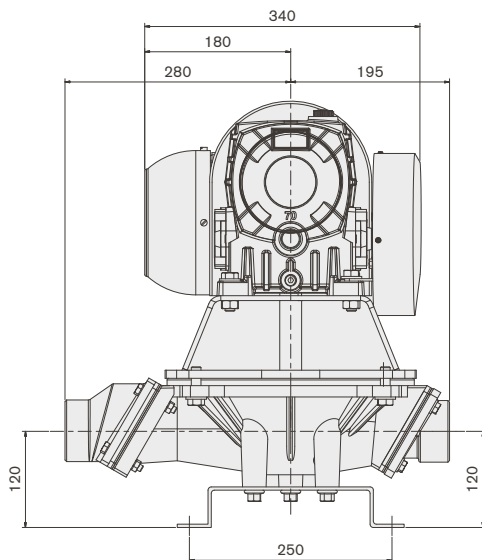
<b>Model no.</b>	GDP 38
<b>Connections</b>	38 mm (1 1/2")
<b>Nominal flow rate</b>	50 L/min
<b>Suction lift</b>	7.5 m
<b>Discharge head</b>	6.0 m
<b>Solid size</b>	25 mm
<b>Motor size</b>	0.75 kW
<b>Weight</b>	42 kg



Part no.	Model no.	Description	Type	Amps	kW
660018	GDP38-300	GD Pump with no motor (bare)	Bare	N/A	N/A
660078	GDS38-300	GD Pump with 240 Volt motor	240 Volt	4.75	0.75 kW
660120	GDT38-300	GD Pump with 415 Volt motor	415 Volt	1.77	0.75 kW

## GDP 50

<b>Model no.</b>	GDP 50
<b>Connections</b>	50 mm (2")
<b>Nominal flow rate</b>	100 L/min
<b>Suction lift</b>	7.5 m
<b>Discharge head</b>	6.0 m
<b>Solid size</b>	35 mm
<b>Motor size</b>	1.1 kW
<b>Weight</b>	55 kg

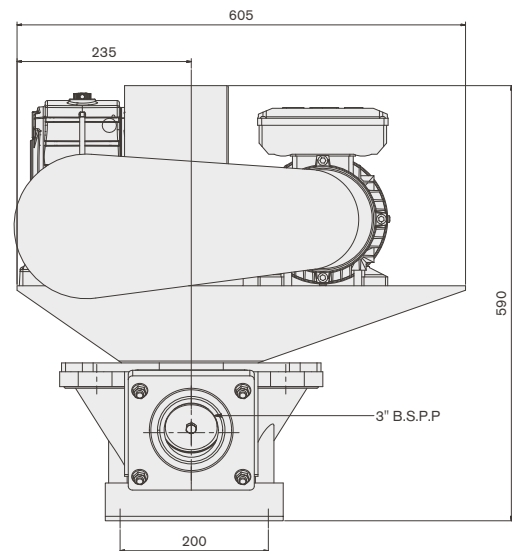
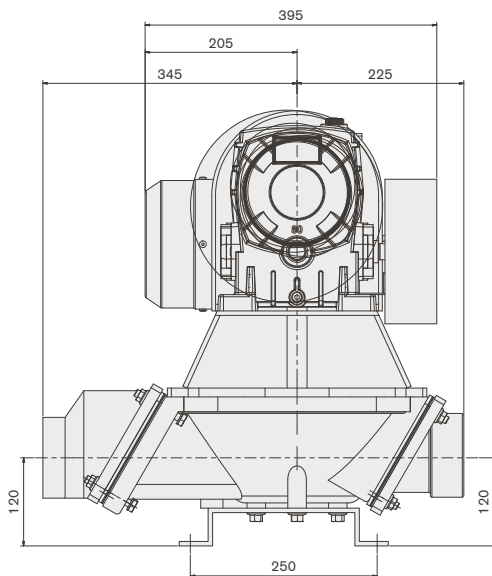


Part no.	Model no.	Description	Type	Amps	kW
660024	GDP50-600	GD Pump with no motor (bare)	Bare	N/A	N/A
660036	GDD50-600	GD Pump with diesel engine	Diesel	N/A	N/A
660048	GDE50-600	GD Pump with petrol engine	Petrol	N/A	4 hp
660084	GDS50-600	GD Pump with 240 Volt motor	240 Volt	6.61	1.1 kW
660126	GDT506-600	GD Pump with 415 Volt motor	415 Volt	2.6	1.1 kW



## GDP 76

<b>Model no.</b>	GDP 76
<b>Connections</b>	76 mm (3")
<b>Nominal flow rate</b>	210 L/min
<b>Suction lift</b>	7.5 m
<b>Discharge head</b>	6.0 m
<b>Solid size</b>	50 mm
<b>Motor size</b>	1.5 kW
<b>Weight</b>	72 kg



Part no.	Model no.	Description	Type	Amps	kW
660030	GDP76-120	GD Pump with no motor (bare)	Bare	N/A	N/A
660042	GDD76-120	GD Pump with diesel engine	Diesel	N/A	N/A
660054	GDE76-120	GD Pump with petrol engine	Petrol	N/A	4 hp
660090	GDS76-120	GD Pump with 240 Volt motor	240 Volt	8.77	1.5 kW
660132	GDT76-120	GD Pump with 415 Volt motor	415 Volt	3.4	1.5 kW



Diaphragm x 1



Vee belt x 1



Flap valve assemblies x 2

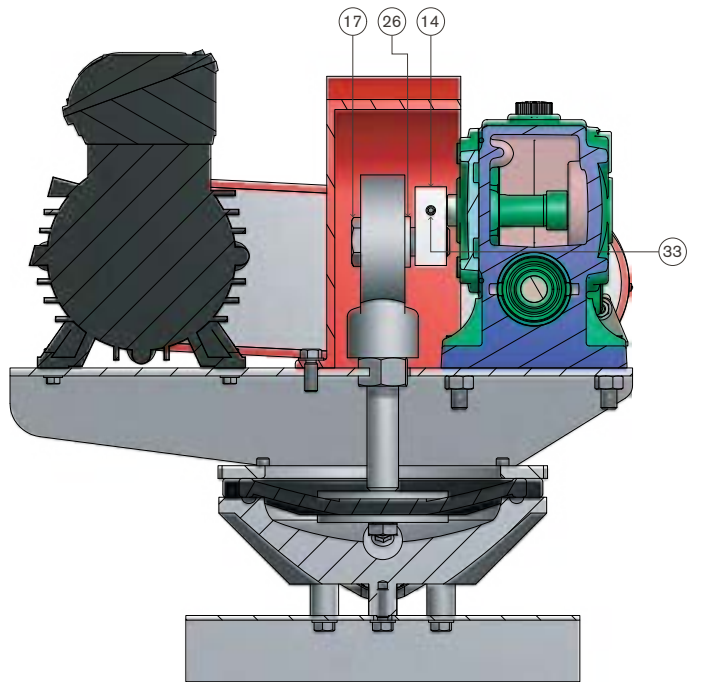
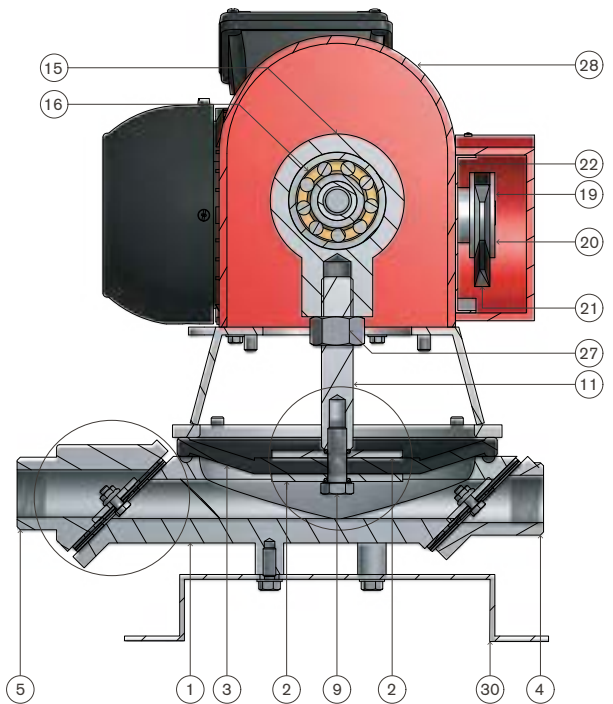
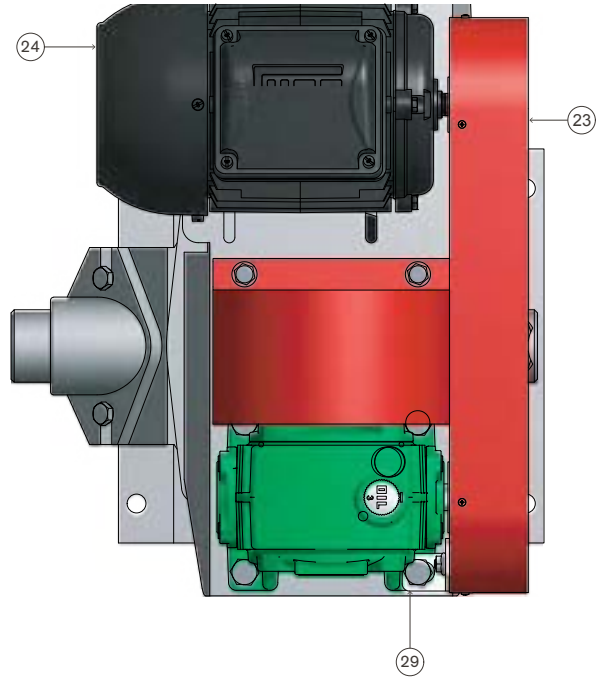
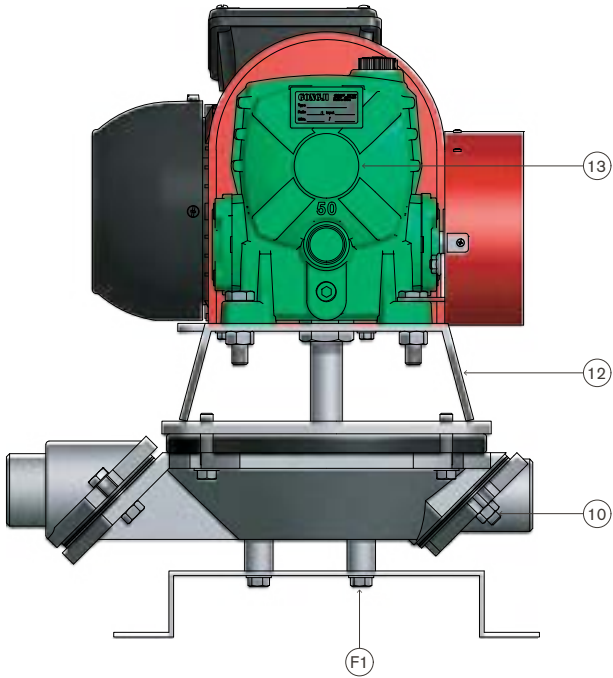


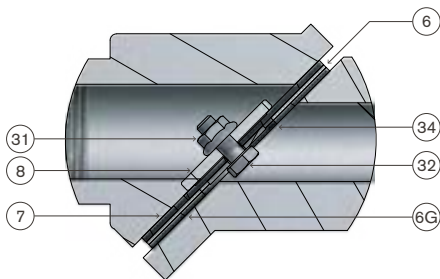
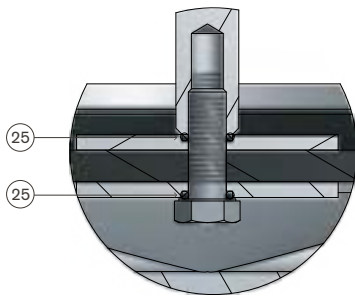
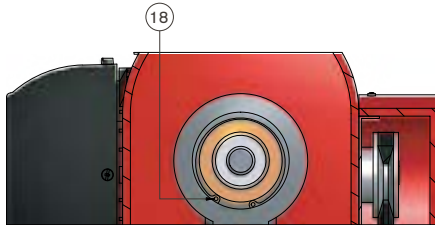
Flap valve gaskets x 2



Diaphragm plate O-rings or gaskets x 2

Part no.	Description
680090	GDP-25 service kit
680176	GDP-32 service kit
680250	GDP-38 service kit
680332	GDP-50 service kit
680412	GDP-76 service kit





Item	Description
1	Aluminium bowl
2	Diaphragm plate
3	Nitrile diaphragm
4	Aluminium suction port
5	Aluminium discharge port
6	Stainless steel valve seat
7	Nitrile valve seat gasket
8	Nitrile flap valve
9	Diaphragm plate bolt
10	Bolt and nut
11	Connecting rod
12	Drive support housing
13	Worm gear speed reducer - Ratio 30:1
14	Eccentric block
15	Eccentric bearing housing
16	Bearing - 6305
17	Eccentric bolt and washer
18	Circlip
19	Gearbox pulley
20	Motor pulley
21	V-Belt
22	Pulley guard back plate - S/S 304
23	Pulley guard - Plastic
24	Electric motor
25	Nitrile o-ring
26	Eccentric bolt spacer
27	Connecting rod nut
28	Eccentric guard - Plastic
29	Pulley guard back plate support bracket
30	Baseplate - Mild steel - Galvanised
31	Flanged hex nut
32	Hex head bolt
33	Grub screw
34	Washer
F1	Bolt
6G	Valve seat gasket

